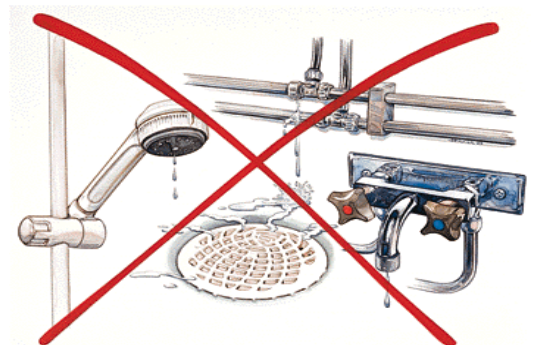
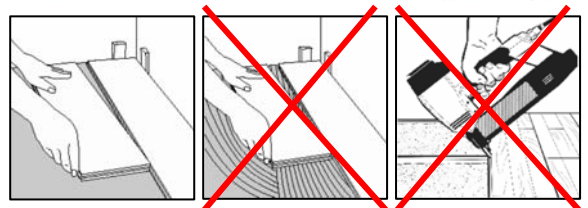
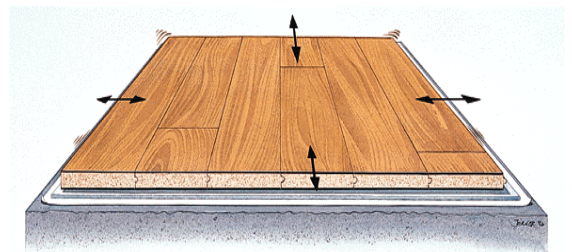
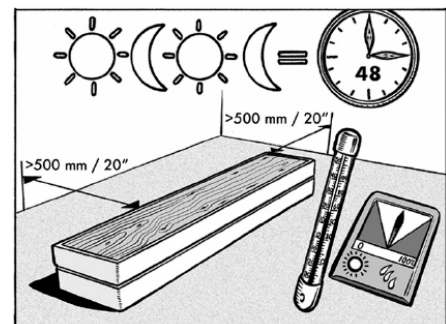


## Information

You will find all illustrations and instructions on the backside of the box and on the inserted instruction folder in the package.

## General

- The floor should be a floating installation i.e. not screwed, glued or stapled down.
- Store your Pergo floor flat and in unopened packages at normal room temperature and relative humidity for at least 48 hours prior to installation.
- Ideal indoor climatic conditions are 18-22°C and 50-60% RH. Outside these conditions the flooring will expand or contract slightly.
- Do not install the floor in wet or damp rooms, such as bathrooms or rooms with a floor drain.
- Use felt pads on furniture legs to prevent scratching.
- Use a vacuum cleaner or non-abrasive, soap-free mop cleaner on a regular basis to clean your floor.
- Always use Pergo Accessories for perfect result
- For areas requiring additional water protection, and areas where wet cleaning methods are used, we recommend the use of SafeSeal
- At entrances, use a door mat to protect the floor.



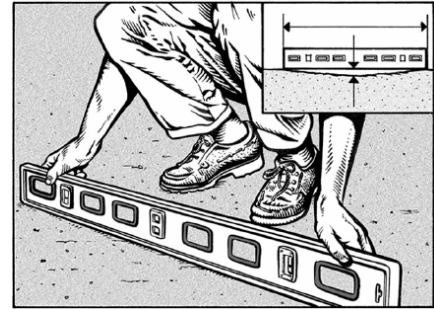
## Preparations

- The subfloor must be even (3 mm/2 m and 1,2 mm/0,25 m [1/8" in 6']) and clean.

Pergo can be installed on top of vinyl, linoleum, wood and ceramic tiles.

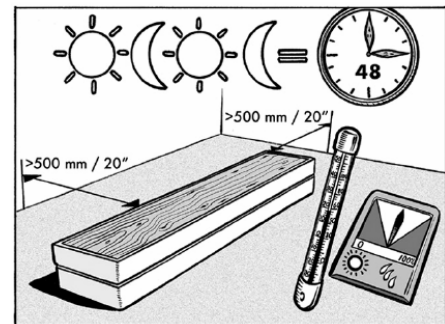
Remove textile carpets and underlay before installing.

If you have under-floor heating. See other info or contact your dealer.

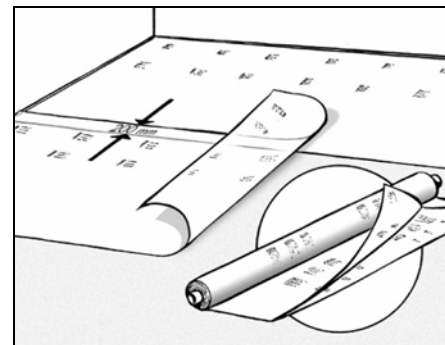


- On slab/concrete floors (max 75% RH, min 18° C [65 F]) - including those with vinyl or ceramic tiles installed – or floors with under-heating-system, begin (after cleaning) by placing a 0,2 mm [6-mil] polyethylene film with an overlap of 200 mm [8"]

(with CM version: Screed 2,0 CM%, floorheating 1,8 CM% and Anhydrite 0,5 CM%, floorheating 0,3 CM%).



- For timber floors, check that any loose floorboards are securely fixed.
- Expansion gap of minimum 5 mm [5/16"] (or 1,0 mm/m floor length) should be left at walls, thresholds, pipes and other fixed objects. An expansion profile must be used in door openings, angled rooms, corners in corridors and if the floorings are longer than 10 meters [30']. Longer/wider floorings might be possible, contact Pergo.



- Check that the floor panel is without defects before installing. After 2-3 packs of installation you will see a representative visual design of the entire floor. Some products have bevel-edges.
- For areas requiring additional water protection, and areas where wet cleaning methods are used, we recommend the use of SafeSeal



## Installation

Generally, the flooring will lock best if it is installed parallel to the length of the room or so that in coming light falls along the length of the planks with a random installation pattern.

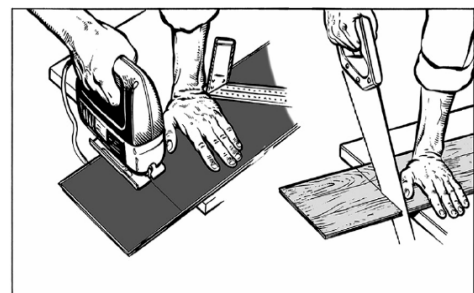
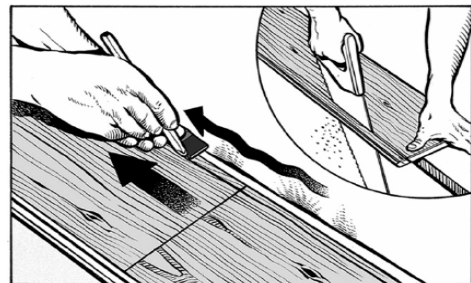
Start the installation in the left-hand corner.

Assemble the planks together in the first row so that they form a straight line. Remove the tongue (male) facing the wall.

Check so that the last row will be bigger than 50 mm [2"].

If the starting wall is uneven or you need to balance the plank width, scribe the contour of the wall on the panels in the first row, disassemble and cut.

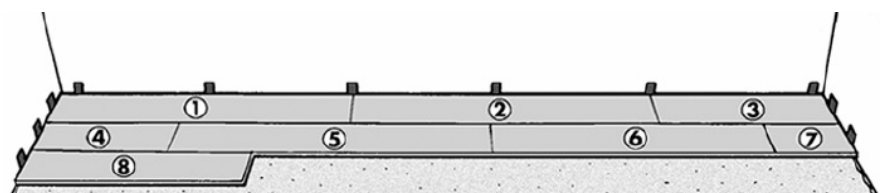
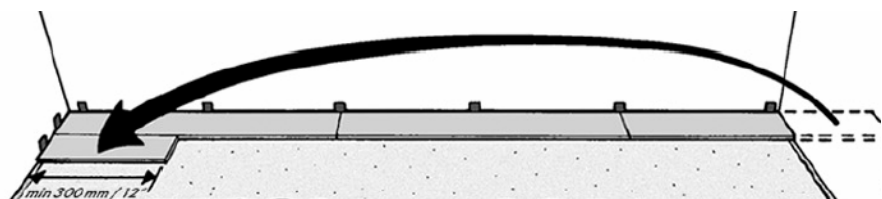
Check that the distance between the first row and the wall is correct, min 5 mm [5/16"].



## Random installation

After cutting the last plank in the first row, use the off-cut to start the second row.

Ensure that the end joints are spaced more than 300 mm [12"] apart in consecutive rows.

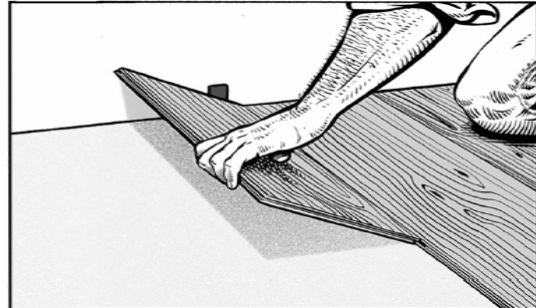


The planks can be assembled in two ways:

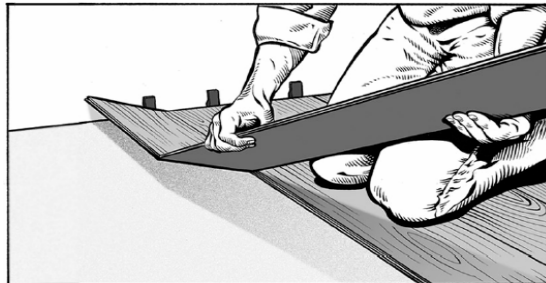
## Method A

Start assembling the planks by, locking the long side tongue to the groove of the installed row.

Let the plank remain in a raised position, don't push down to lock joint yet.



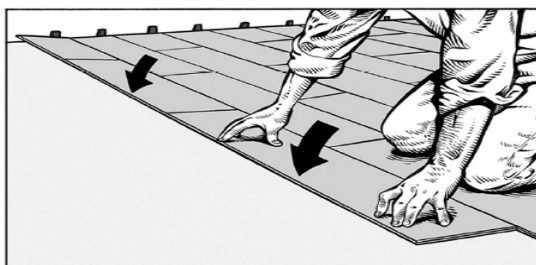
The following planks in the row are assembled, by folding the short side tongue into the short side groove of installed slightly raised plank and gently pushing the plank down to interlock the tongue into the groove on the long side.



Install all planks in the row before pushing them down to lock the long side joint .



When pushing down the full row, start from one end and continue all the way along the row.

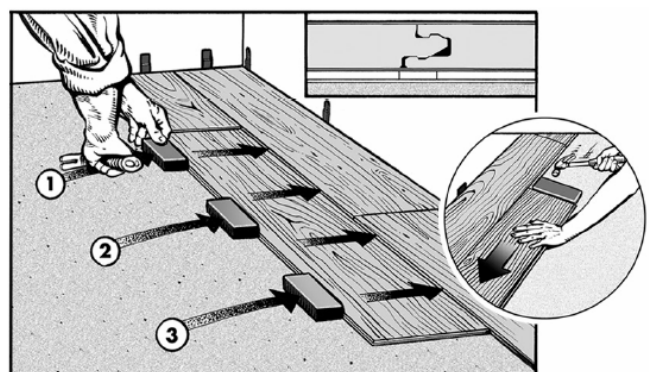


## Method B

Tap the planks together with the tapping block and a hammer.

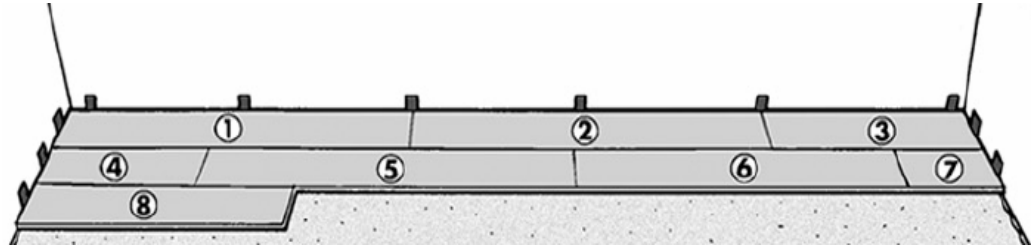
Start tapping at the long side, minimum 300 mm [12"] from end joint, from one end to the other.

After assembling the long side, tap the short side into place.



## Finishing up

Install the planks in the order as shown.



To calculate the correct wide of the last row, place the plank on top of the last but one row.

Mark the distance with a piece of floor.

Cut according to the marked line.

